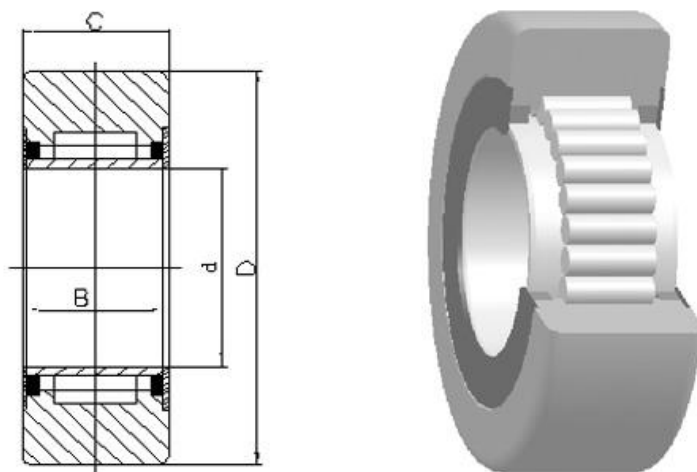


# 叉车门架滚轮 (MGxxN1-x) 滚针类

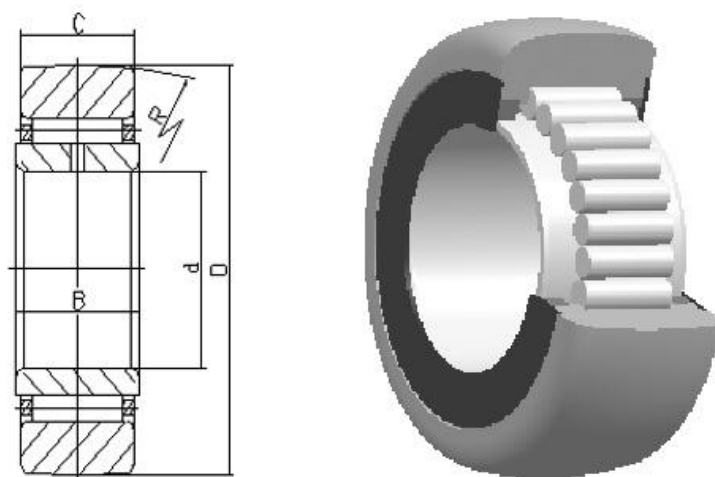
Forklift Mast Roller



轴承型号	尺寸(mm)	额定载荷(KN)		参照型号
	d*D*C/B	Cr	Cor	
MG12.7N1-1	12.7*47.6*25.4/27	38.3	60.5	
MG30N1-1	30*62*20/20	55.3	35.4	
MG30N1-2M1	30*54*29/85	44.57	68.53	
MG35N1-1	35*72*29/20	25.0	52.0	
MG43N1-1	43*91.8*28/21.5	35.0	61.5	
MG45N1-1	45*90*32/30	75.5	121.6	
MG75N1-1	75*105*30/30	124.0	259.0	
MG15.8N1-1	15.875*50.8*31.75/33.5	49.0	77.4	

# 叉车门架滚轮 (MGxxN2-x) 滚针类

Forklift Mast Roller



轴承型号	尺寸(mm)	额定载荷(KN)		参照型号
	d*D*C/B	Cr	Cor	
MG16N2-1	16*32*24	64.06	90.5	
MG17N2-1M1	17*40*20/21	22.2	36.2	
MG25N2-1M1	25*52*19.7/20	23.1	33.5	
MG25N2-2M1	25*52*24/25	39.98	67.81	
MG40N2-1	40*80*20/20	35.0	61.5	
MG50N2-1	50*90*19.8/20	43.0	84.5	
MG50N2-2	50*90*20/19	43.0	84.5	
MG55N2-1M1	55*110*30.5/31	57.8	140.0	