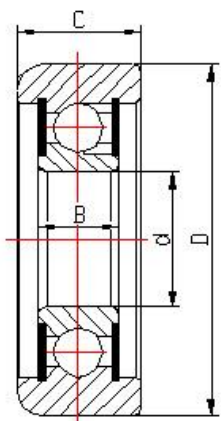


叉车门架滚轮 (MGxxC1-x) 单列满球

Forklift Mast Roller

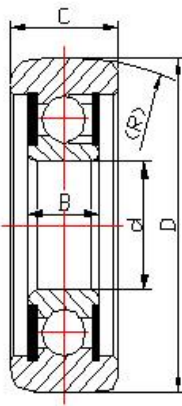


轴承型号	尺寸(mm)	额定载荷(KN)		参照型号
	d*D*C/B	Cr	Cor	
MG35C1-4	35*92*31/20	43.7	30.7	
MG35C1-5	35*111.5*30/20	43.7	30.7	
MG35C1-6	35*107.8*24.8/21	43.7	30.7	
MG40C1-1	40*110*32/23	40.66	36.65	
MG40C1-4	40*101*34/25	40.66	36.65	
MG45C1-1	45*102*28.5/19	40.66	36.65	
MG45C1-2	45*100.96*28.45/19	28.7	29.0	
MG55C1-1T	55*149.5*45*33	110.0	96.69	

MG55C1-2T	55*149*45*33	110.0	96.69	
MG55C1-3T	55*151*45*33	110.0	96.69	

叉车门架滚轮 (MGxxC2-x) 单列满球

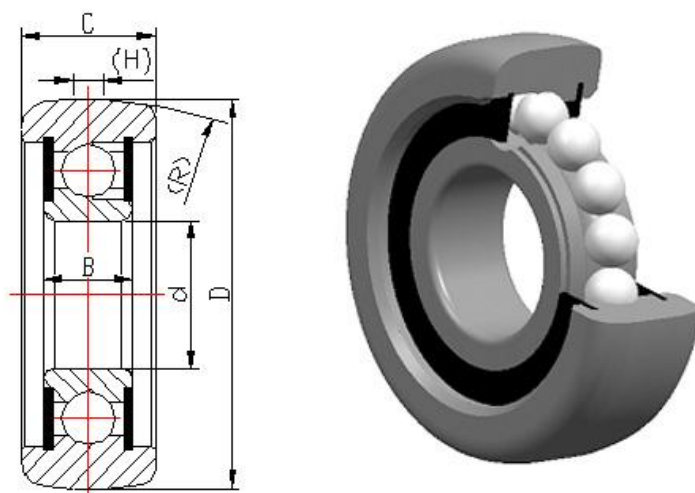
Forklift Mast Roller



轴承型号	尺寸(mm)	额定载荷(KN)		参照型号
	d*D*C/B	Cr	Cor	
MG30C2-1M1	30*78*24/22	30.0	22.0	
MG35C2-1	35*88.5*33/29	44.0	30.7	
MG45C2-1	45*101.3*28.3/19	40.66	36.65	
MG90C2-1M1	90*400*60/58	480.0	620.0	
MG90C2-2M1	90*400*58/60	480.0	620.0	

叉车门架滚轮 (MGxxC4-x) 单列满球

Forklift Mast Roller



轴承型号	尺寸(mm)	额定载荷(KN)		参照型号
	d*D*C/B	Cr	Cor	
MG50C4-1	50*163*46/43	76.65	68.95	
MG60C4-1	60*126.8*31.12/22	57.42	61.7	
MG60C4-2	60*126.8*31.2/22	57.42	61.7	
MG65C4-1	65*183.5*45/33	93.1	89.4	
MG100C4-1M11	100*250*65/47	182.0	199.0	