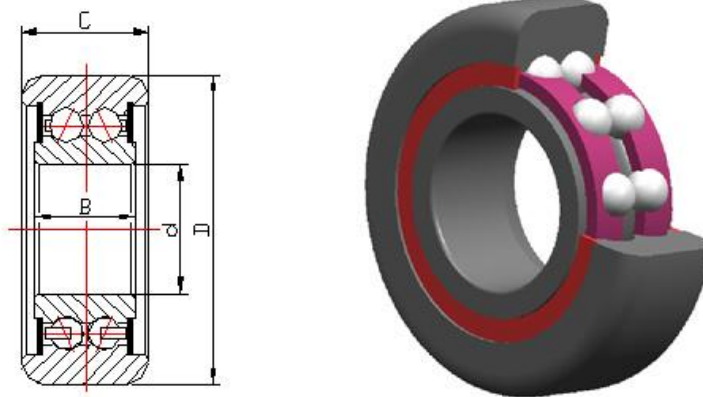


叉车门架滚轮 (MGxxB1-x) 双列球

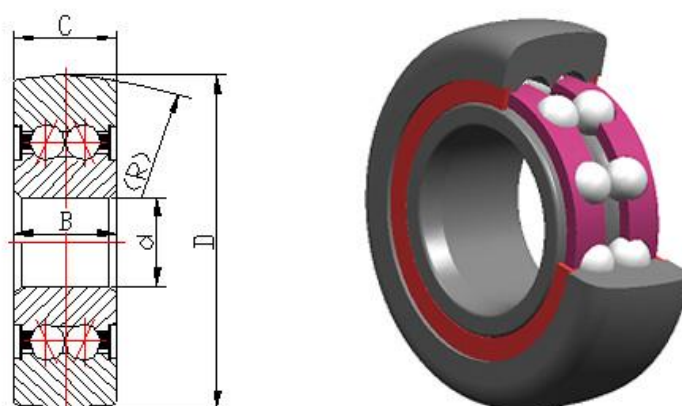
Forklift Mast Roller



轴承型号	尺寸(mm)	额定载荷(KN)		参照型号
	d*D*C/B	Cr	Cor	
MG25B1-1	25*88.6*30.5/25.5	21.61	15.88	
MG25B1-2	25*47*28/30	14.12	25.82	
MG25B1-3	25*70*26/21	21.61	15.88	
MG30B1-2M1	30*72.1*30/24	28.1	20.0	
MG30B1-3M1	30*84.9*31/24	28.1	20.0	
MG40B1-2	40*90.5*29/29	26.8	23.6	
MG55B1-1	55*110*26/26	31.6	32.4	
MG60B1-1	60*126*31/31	55.21	53.27	

叉车门架滚轮 (MGxxB2-x) 双列球

Forklift Mast Roller

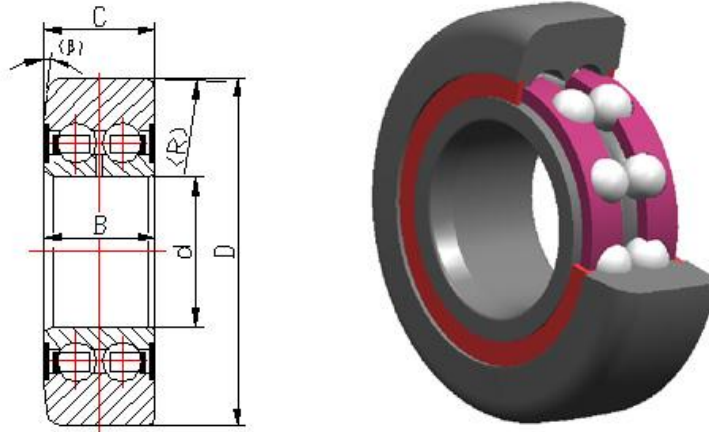


轴承型号	尺寸(mm)	额定载荷(KN)		参照型号
	d*D*C/B	Cr	Cor	
MG28B2-1	28*77.6*28/23	28.1	20.0	
MG30B2-1	30*70*27/24	25.92	20.66	
MG30B2-2M1	30*70.2*24/24	21.57	16.24	
MG30B2-3	30*75.6*26/24	25.92	20.66	LR 5206
MG35B2-1	35*90*27/27	33.94	26.67	
MG35B2-2	35*90*34.9/34.9	44.5	35.55	
MG40B2-1M1	40*100*36.5/36.5	60.0	43.0	
MG40B2-2	40*104.2*43/30.2	38.2	30.2	

MG40B2-3	40*127.3*43/30.2	38.2	30.2	
MG45B2-1	45*109.4*38.5/30	47.0	38.0	
MG50B2-1	50*120*30/30	43.3	43.2	
MG60B2-1M1	60*149.4*41.5/36.5	53.7	55.7	

叉车门架滚轮 (MGxxB7-x) 双列球

Forklift Mast Roller



轴承型号	尺寸(mm)	额定载荷(KN)		参照型号
	d*D*C/B	Cr	Cor	
MG28B7-1	28*70*23/22.5	17.3	14.7	
MG28B7-2M1	28*69.9*23/22.5	17.3	14.7	
MG28B7-8M1	28*75.3*23/22.5	17.3	14.7	
MG28B7-9M1	28*75.6*23/22.5	17.3	14.7	

MG28B7-10M1	28*75.9*23/22.5	17.3	14.7	
MG30B7-1	30*78.2*24/24	20.02	15.46	
MG30B7-2	30*78.6*24/24	20.02	15.46	
MG30B7-3	30*79*24/24	20.02	15.46	
MG30B7-4	30*79.4*24/24	20.02	15.46	
MG30B7-9	30*76*24/24	16.9	21.39	
MG30B7-17	30*75.3*24/23.5	28.49	20.97	
MG30B7-18	30*75.6*24/23.5	28.49	20.97	
MG30B7-19	30*75.9*24/23.5	28.49	20.97	
MG35B7-2	35*80.9*26/26	25.8	21.07	
MG35B7-3	35*81.2*26/26	25.8	21.07	
MG35B7-4	35*81.5*26/26	25.8	21.07	
MG40B7-12M1	40*89.9*29/28.8	38.2	30.2	
MG40B7-13M1	40*90.2*29/28.8	38.2	30.2	
MG40B7-14M1	40*90.5*29/28.8	38.2	30.2	
MG40B7-19	40*89.9*29/28.8	38.2	30.2	
MG40B7-20	40*90.2*29/28.8	38.2	30.2	
MG40B7-21	40*90.5*29/28.8	38.2	30.2	

MG40B7-22M1	40*88.8*29/28.7	36.4	28.5	
MG40B7-23M1	40*89.9*29/28.9	30.0	22.5	MRS1393
MG40B7-24M1	40*90.2*29/28.9	30.0	22.5	MRS1394
MG40B7-25M1	40*90.5*29/28.9	30.0	22.5	MRS1395
MG45B7-1	45*105.4*34/29	37.94	33.1	
MG45B7-2	45*105.7*34/29	37.94	33.1	
MG45B7-3	45*106*34/29	37.94	33.1	
MG45B7-4	45*106.4*34/29	37.94	33.1	
MG45B7-5	45*105.4*34/34	50.7	40.82	
MG45B7-6	45*105.7*34/34	50.7	40.82	
MG45B7-7	45*106.0*34/34	50.7	40.82	
MG45B7-8M1	45*105.4*34/34	50.7	40.82	
MG45B7-9M1	45*105.8*34/34	50.7	40.82	
MG45B7-10M1	45*106.1*34/34	50.7	40.82	
MG45B7-11M1	45*105.4*34/33.5	50.7	40.82	
MG45B7-12M1	45*105.8*34/33.5	50.7	40.82	
MG45B7-13M1	45*106.1*34/33.5	50.7	40.82	
MG45B7-14	45*105.4*34/29	37.94	33.1	

MG45B7-15	45*105.7*34/29	37.94	33.1	
MG45B7-16	45*106*34/29	37.94	33.1	
MG45B7-17	45*105.4*34/33.5	50.7	40.82	
MG45B7-18	45*105.8*34/33.5	50.7	40.82	
MG45B7-19	45*106.1*34/33.5	50.7	40.82	
MG45B7-20	45*105.4*34/33.5	50.7	40.82	
MG50B7-1M1	50*124.25*32/30.2	41.0	40.0	
MG50B7-2M1	50*123.9*32/30.2	41.0	40.0	
MG65B7-1T	65*136*42/34	58.5	63.1	
MG65B7-2	65*135.1*42/34	61.45	62.3	
MG65B7-3	65*135.6*42/34	61.45	62.3	
MG65B7-4	65*136*42/34	61.45	62.3	
MG65B7-5M1	65*135.3*42/34	61.45	62.3	